

tertiary

indoor



CREE LED 2W

LED power: **6W (Theo I)**
12W (Theo II)

IRC: **75**

Output Lumens: **340 lm (Natural White, Theo I)**
750 lm (Natural White, Theo II)

ELECTRICAL FEATURES

230Vac Power supply

Power consumption: **7W (Theo I)**
13W (Theo II)

ENVIRONMENT

Operating temperature: **-20°C to +40°C**

IP: **20**

3 years warranty

THEO I & II - IP20

Accentuation lighting

MATÉRIAUX

steel springs for fixing into the false ceiling

ring and body in brushed aluminium

individual collimator in PMMA

reflector in specular aluminium



Theo I

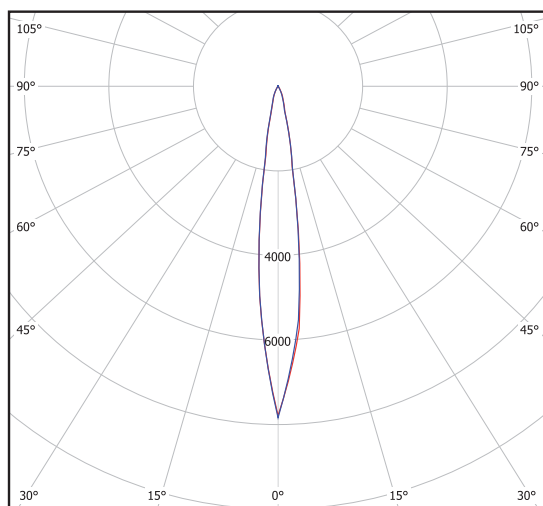


Theo II

Photometric data

Valid for one head ; Natural White model

Optic: **intensive beam 18°**

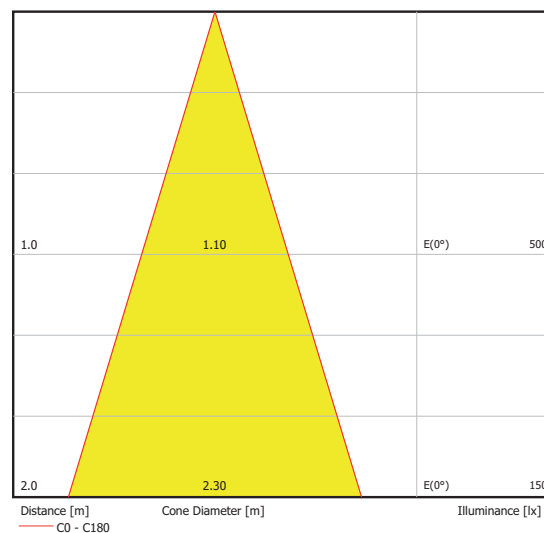


cd/klm
— C0 - C180 — C90 - C270

Cone of illumination

Valid for one head

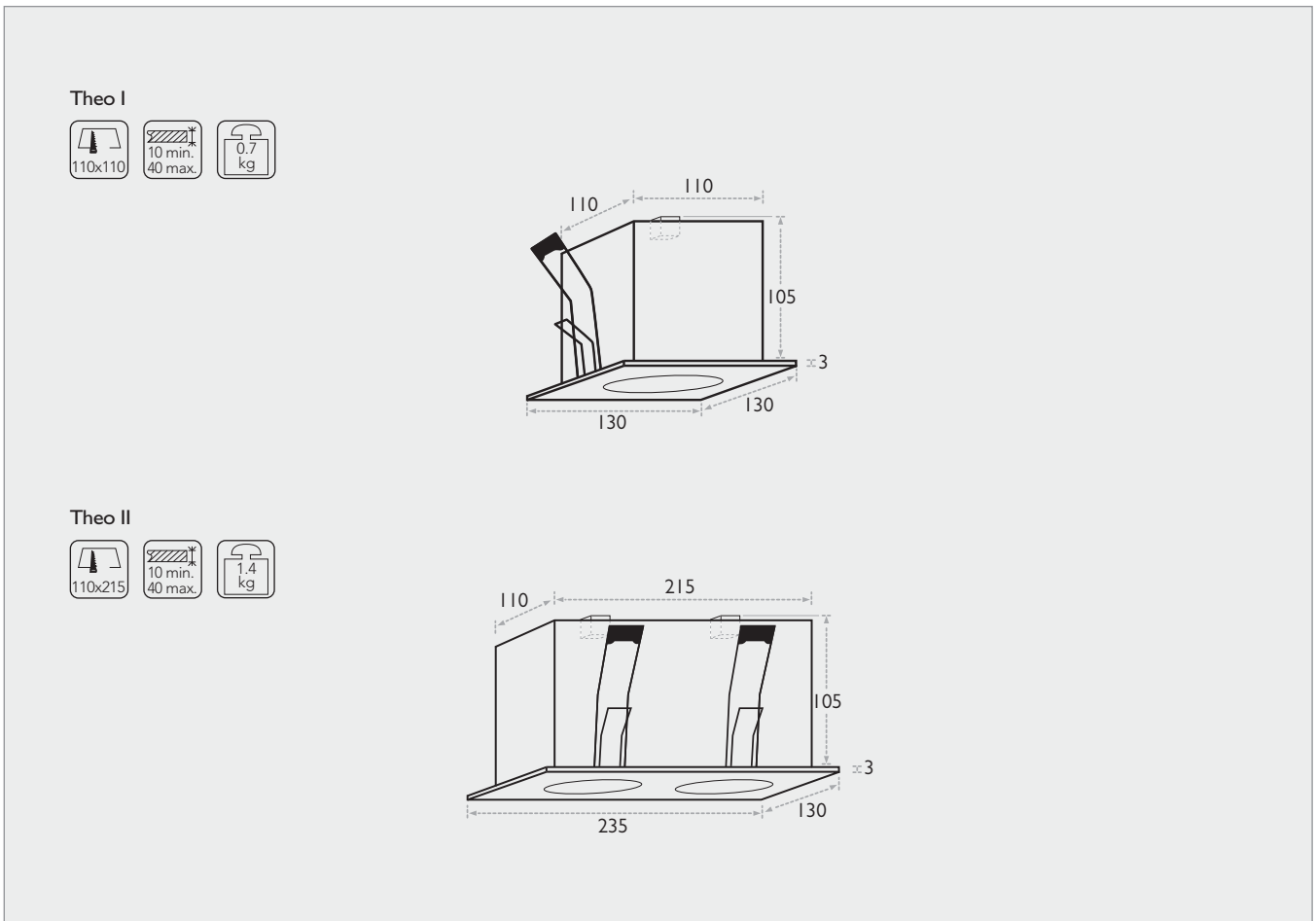
Optic: **intensive beam 18°**



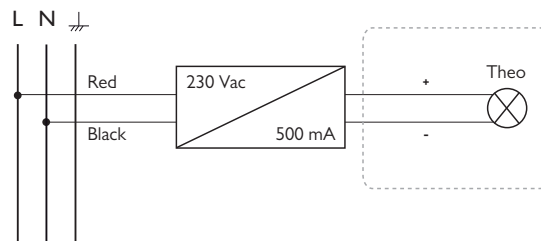
Distance [m] Cone Diameter [m] Illuminance [lx]
— C0 - C180

provisional features - all data can be modified without notice

Dimensions unit of measure: millimeter



Wiring diagram



CODE	DESIGNATION	COLOR TEMP.
INT09022	Theo I	○ N.W.
INT09025	Theo II	○ N.W.

N.W. 4000 to 4500°K

provisional features - all data can be modified without notice