

tertiary

indoor



LED power: mono LED compact 10W  
IRC: 75

Output Lumens: 560 lm (Cool White)  
590 lm (Natural White)  
510 lm (Warm White)

**ELECTRICAL FEATURES**

230Vac Power supply  
Power consumption: 12W (Cool White)  
13W (Natural White)  
14W (Warm White)

**ENVIRONMENT**

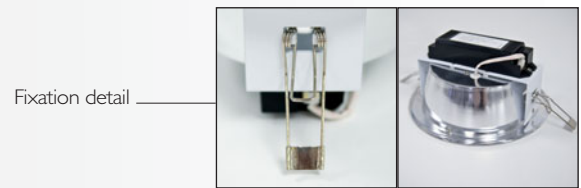
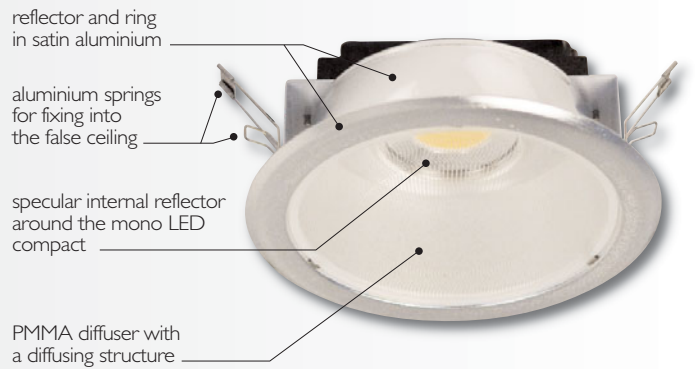
Operating temperature: -15°C to +45°C  
IP: 23 (IP44 version, please consult us)

3 years warranty

# MEGA I - IP23

Functional lighting - Circulation area, shops

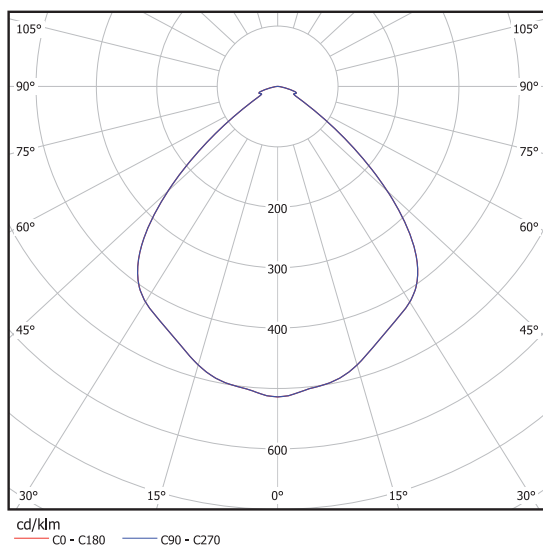
**MATERIALS**



**Photometric data**

Natural White model ; other models, please consult us

Optic: extensive beam 92°



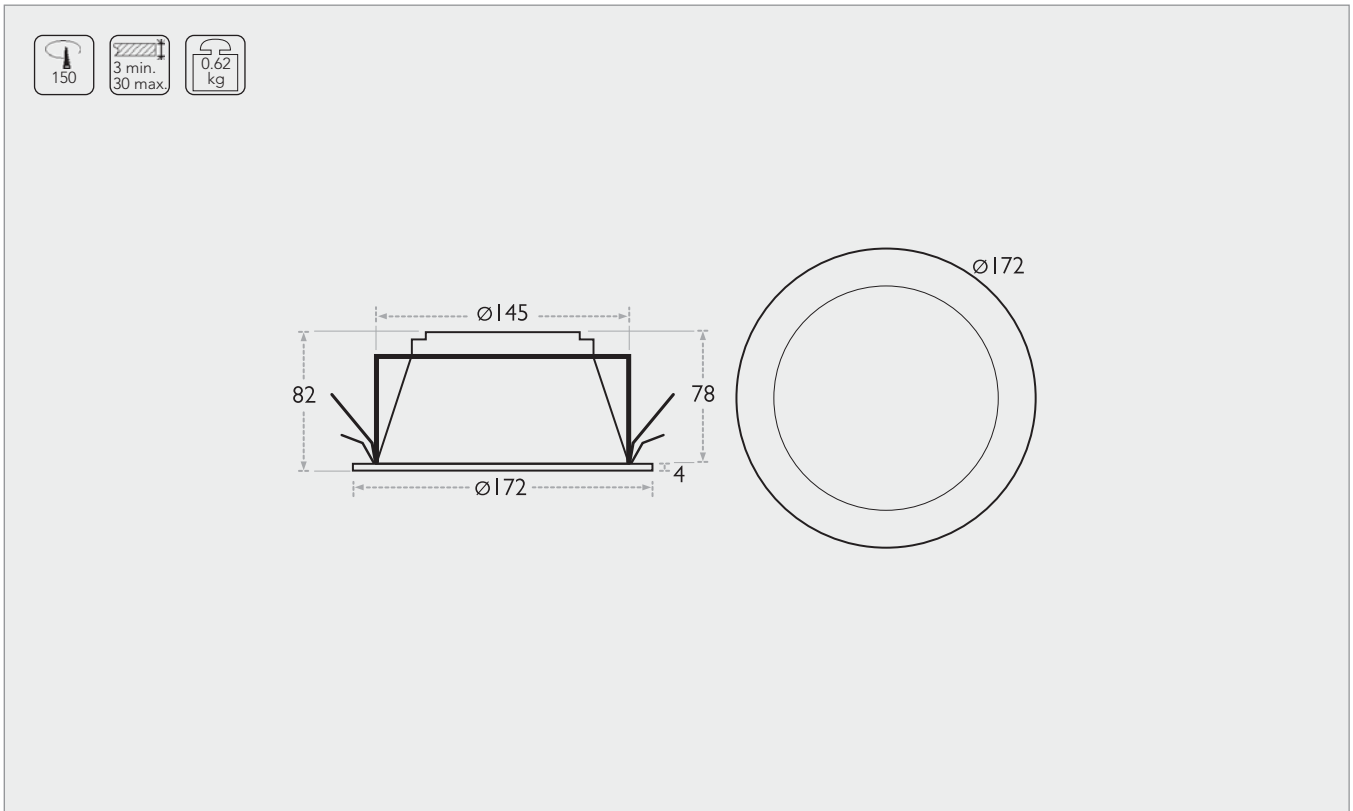
**Cone of illumination**

Natural White model ; other models, please consult us

0.5	1.04	E(0°) E(C0)	46.0°	1213 204
1.0	2.07	E(0°) E(C0)	46.0°	303 51
1.5	3.11	E(0°) E(C0)	46.0°	135 23
2.0	4.14	E(0°) E(C0)	46.0°	76 13
2.5	5.18	E(0°) E(C0)	46.0°	49 8
3.0	6.21	E(0°) E(C0)	46.0°	34 6

provisional features - all data can be modified without notice

**Dimensions** unit of measure: millimeter



CODE	DESIGNATION	COLOR TEMP.
INT04151	Mega I - downlight 10W - IP23	○ C.W.
INT04155	Mega I - downlight 10W - IP23	● N.W.
INT04152	Mega I - downlight 10W - IP23	● W.W.
INT04164	Mega I - downlight 10W - IP44	○ N.W.
INT04165	Mega I - downlight 10W - IP44	● W.W.

C.W. 6000°K; N.W. 4500°K; W.W. 3200°K

provisional features - all data can be modified without notice