

tertiary

indoor



31 LED CREE
LED power: **30W**
IRC: **75**
Output Lumens: **1410 lm (Natural White)**

ELECTRICAL FEATURES

230Vac Power supply
Power consumption: **33W**

ENVIRONMENT

Operating temperature: **-15°C to +45°C**
IP: **23**

3 years warranty

MEGA IV - IP23

Functional lighting - Shopping center, reception hall, entrance (great height)

MATERIALS

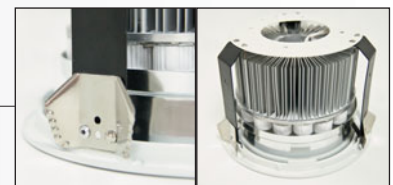
cooling fans in raw aluminium to dissipate heat

ring in painted aluminium (white)

individual collimator in PMMA

satin protection glass

reflector in satin aluminium

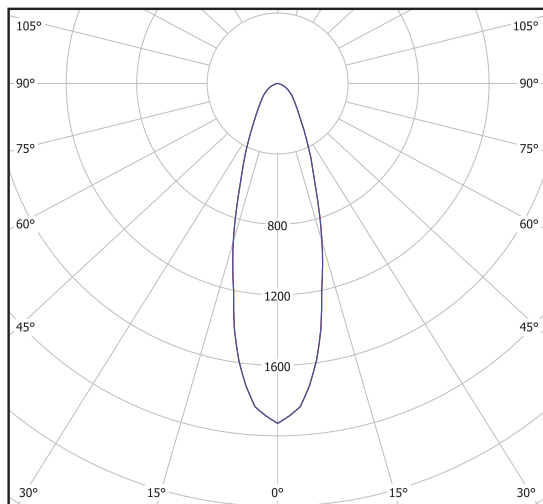


3 fixation claws in stainless steel

Photometric data

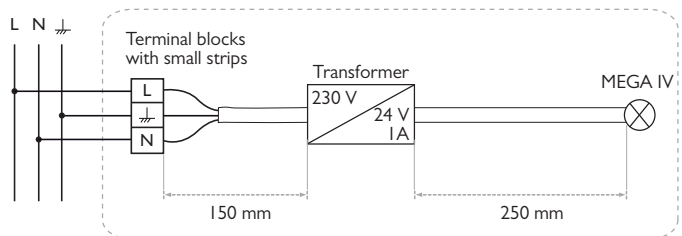
Natural White model

Optic: semi intensive beam 30°



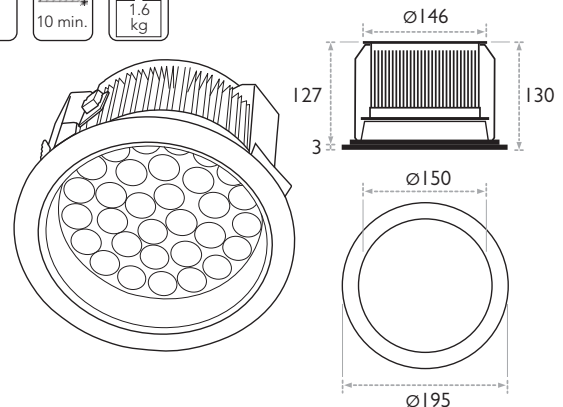
cd/klm
C0 - C180 — C90 - C270

Wiring diagram



Dim. transformer: L 150mm/W.40mm/H.30mm
Entraxe of binding: 162mm

Dimensions unit of measure : millimeter



CODE	DESIGNATION	COLOR TEMP.
INT04173	Mega IV - downlight 30W - IP23	○ N.W.

provisional features - all data can be modified without notice