

tertiary

indoor



LED power : mono LED compact 20W

IRC : 75

Output Lumens: 1060 lm (Cool White)
1190 lm (Natural White)
810 lm (Warm White)

ELECTRICAL FEATURES

Remote 230Vac Power supply

Power consumption: 25W (Cool White)
29W (Natural White)
26W (Warm White)

ENVIRONMENT

Operating temperature: -15°C to +45°C

IP: 23 (IP44 version for canopy application, please consult us)

3 years warranty

MEGA III - IP23

Functional lighting - Circulation area, shops

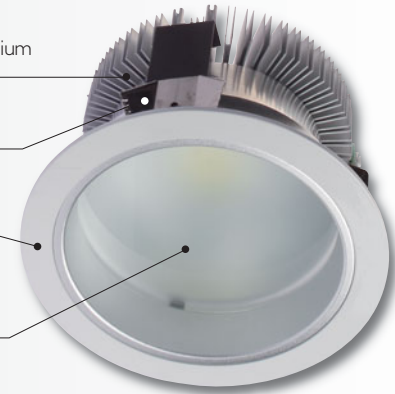
MATERIALS

cooling fans in raw aluminium to dissipate heat

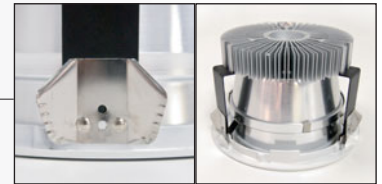
3 fixation claws in stainless steel

ring in painted aluminium (white)

diffusing protection glass



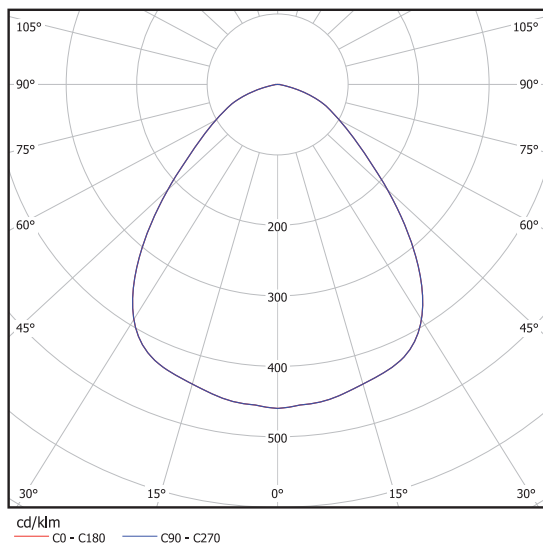
Fixation detail



Photometric data

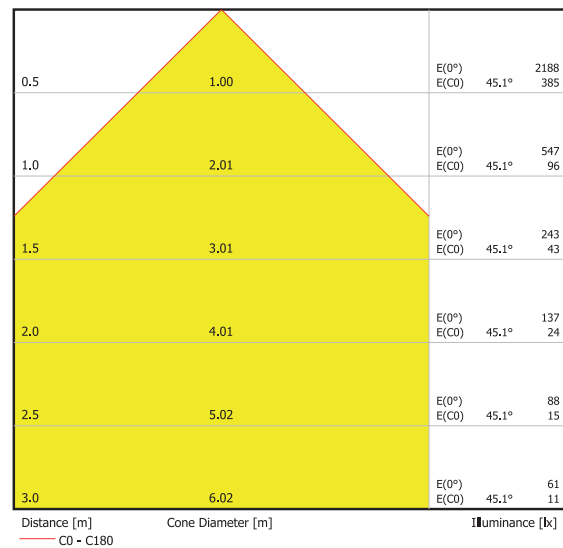
Natural White model ; other models, please consult us

Optic: extensive beam



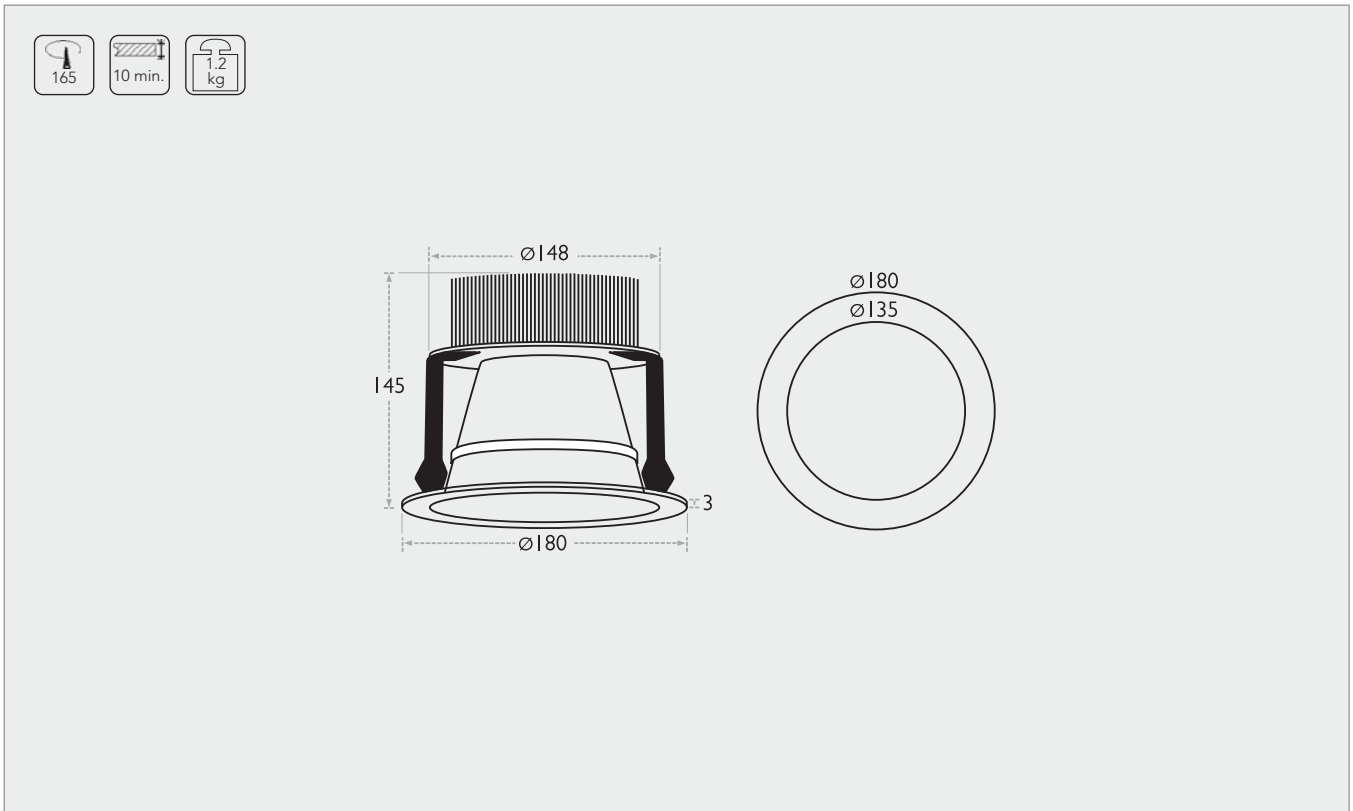
Cone of illumination

Natural White model ; other models, please consult us

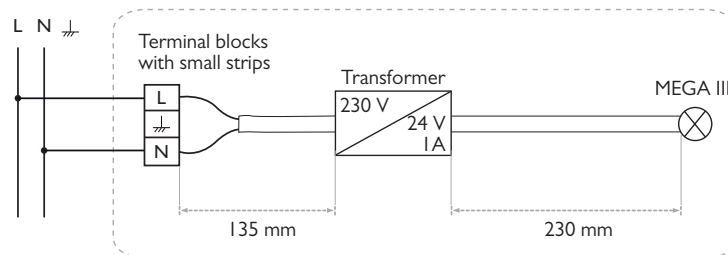


provisional features - all data can be modified without notice

Dimensions unit of measure : millimeter



Wiring diagram



CODE	DESIGNATION	COLOR TEMP.
INT04146	Mega III - downlight 20W - IP23	○ C.W.
INT04147	Mega III - downlight 20W - IP23	○ N.W.
INT04154	Mega III - downlight 20W - IP23	● W.W.
INT04170	Mega III - downlight 20W - IP44	○ N.W.

C.W. 6000°K; N.W. 4900°K; W.W. 3200°K

provisional features - all data can be modified without notice