

tertiary

indoor



CREE LED 10W

LED power: **mono LED compact 10W**

IRC: **80**

Output Lumens: **440 lm (Cool White)**  
**350 lm (Warm White)**

**ELECTRICAL FEATURES**

230Vac Power supply

Power consumption: **11W (Cool White)**  
**10W (Warm White)**

**ENVIRONMENT**

Operating temperature: **-20°C to +50°C**

IP: **20**

**3 years warranty**

# CESAR 10

Functional lighting - Shops...

**MATERIALS**

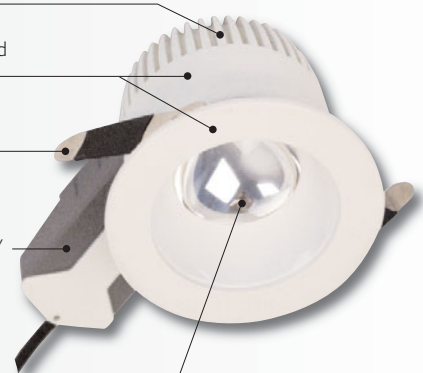
cooling fans in painted aluminium to dissipate heat

body and ring in painted aluminium (white)

small strips of fixation in stainless steel

power supply fixed at the back of the body

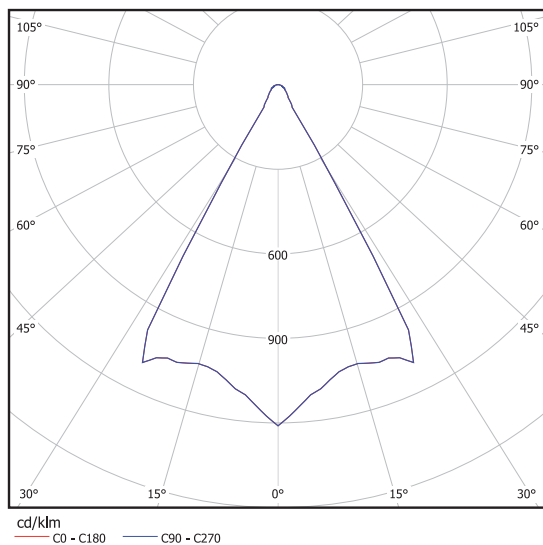
optic in glass



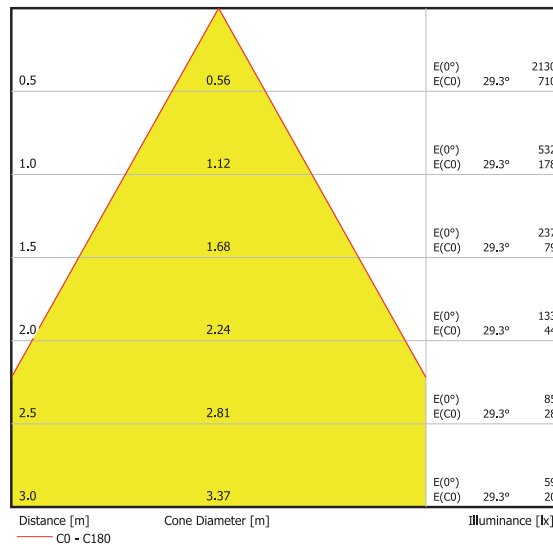
**Photometric data**

Cool White model ; other models, please consult us

Optic: **extensive beam 75°**

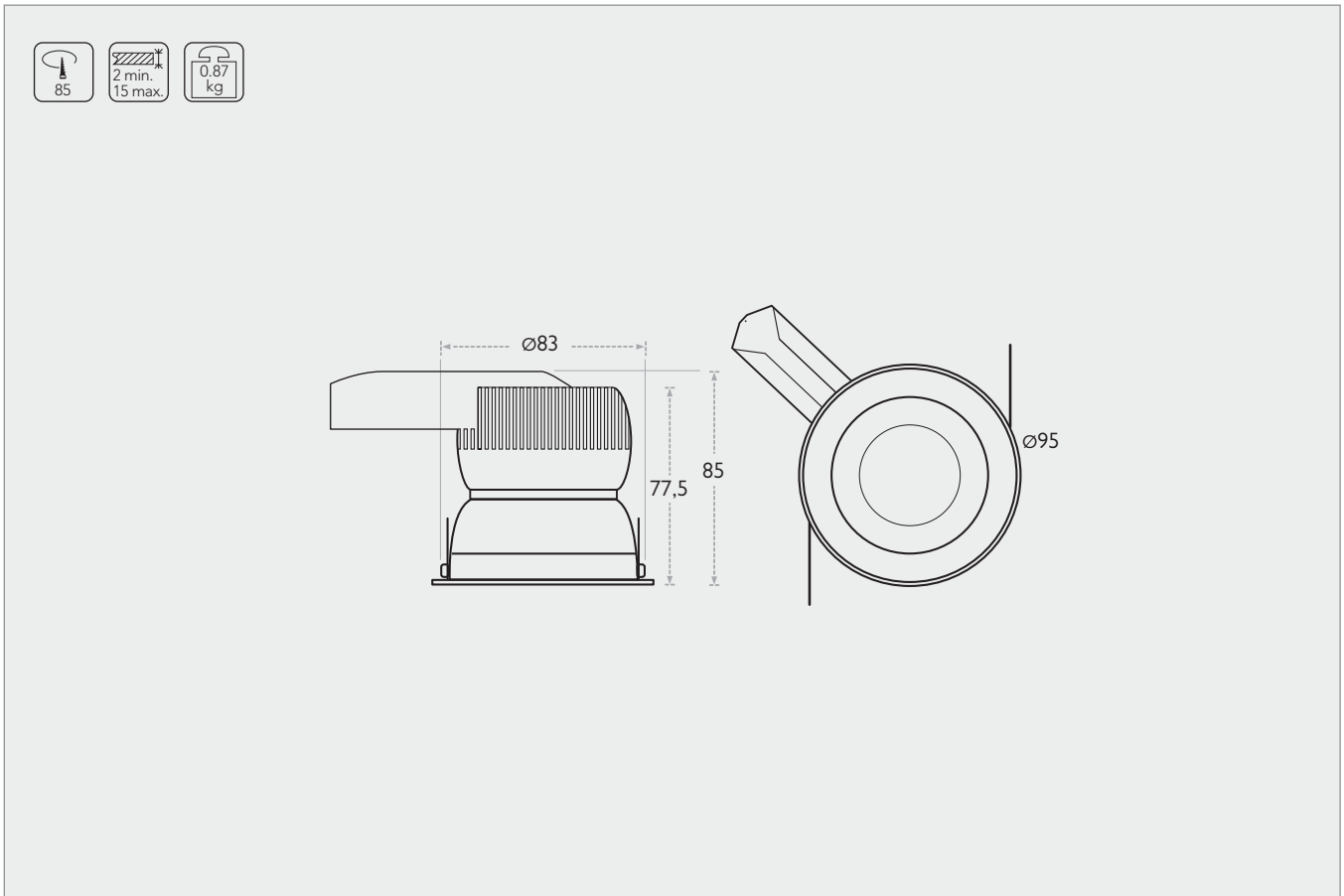


**Cone of illumination**



provisional features - all data can be modified without notice

**Dimensions** unit of measure: millimeter



CODE	DESIGNATION	COLORTEMP.
INT04127	Cesar 10 - IP23	○ C.W.
INT04128	Cesar 10 - IP23	● W.W.
INT04192	Cesar 10 - IP44 (please consult us)	● W.W.

C.W. 6000°K - W.W. 3000°K

provisional features - all data can be modified without notice