

tertiary

indoor



LED 1,5W
 LED power: **4,5W**
 Output Lumens: **160 lm (Blanc naturel)**
 IRC : **84**

ELECTRICAL FEATURES

Remote 230Vac Power supply with driver included
 Power consumption: **5,5W**

ENVIRONMENT

Operating temperature: **-20°C to +40°C**
 IP : **20**

3 years warranty

APOLLO - IP20

Accentuation lighting - Shops...

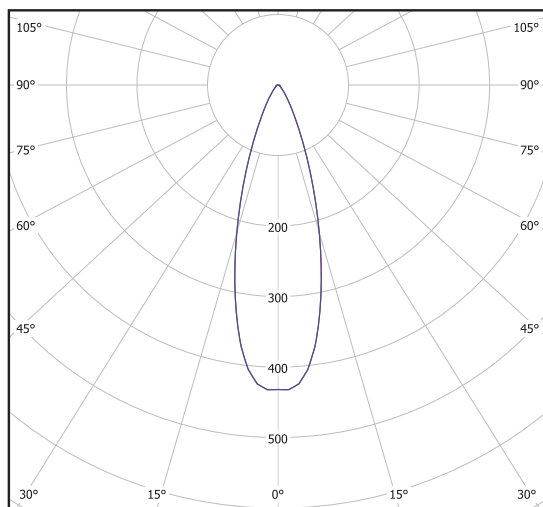
MATERIALS



Photometric data

N.W. (Natural white) model
 Valid for Apollo & Apollo swivel

Optic: **semi intensive beam (31°)**



cd/klm
 — C0 - C180 — C90 - C270

Cone of illumination

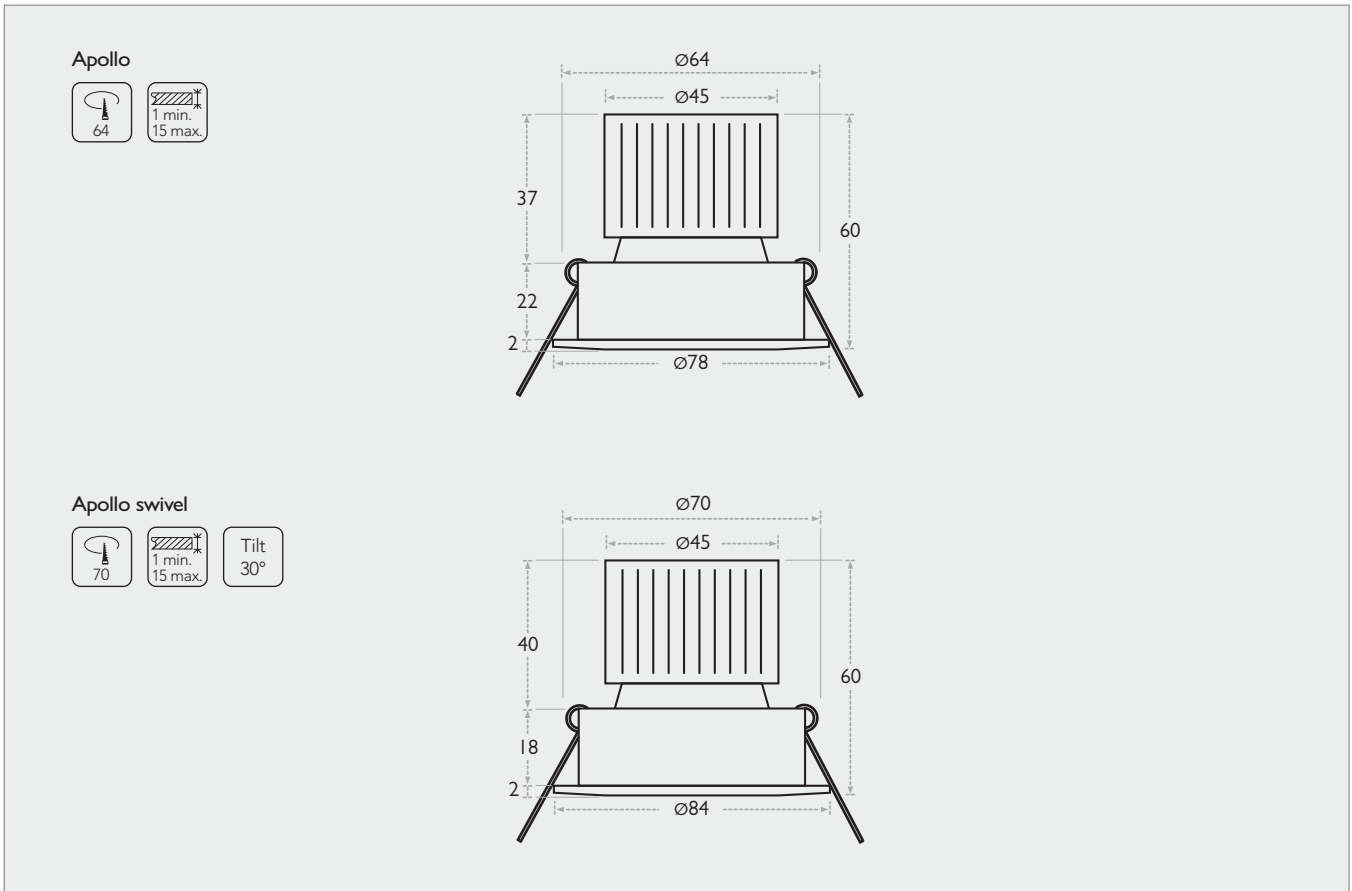
Valid for Apollo & Apollo swivel

| | | | | |
|-----|------|----------------|-------|-------------|
| 0.5 | 0.28 | E(0°) E(C0) | 15.6° | 1727 775 |
| 1.0 | 0.56 | E(0°) E(C0) | 15.6° | 432 194 |
| 1.5 | 0.84 | E(0°) E(C0) | 15.6° | 192 86 |
| 2.0 | 1.12 | E(0°) E(C0) | 15.6° | 108 48 |
| 2.5 | 1.40 | E(0°) E(C0) | 15.6° | 69 31 |
| 3.0 | 1.68 | E(0°) E(C0) | 15.6° | 48 22 |

Distance [m] Cone Diameter [m] Illuminance [lx]
 — C0 - C180

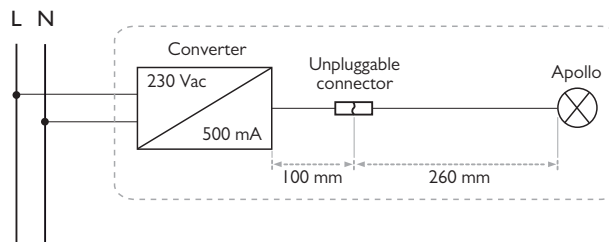
provisional features - all data can be modified without notice

Dimensions unit of measure: millimeter



Wiring diagram

Valid for Apollo & Apollo swivel



| CODE | DESIGNATION | COLOR TEMP. |
|----------|------------------------|-------------|
| INT04116 | Apollo - white | ○ N.W. |
| INT04117 | Apollo - nickel | ○ N.W. |
| INT04124 | Apollo swivel - white | ○ N.W. |
| INT04125 | Apollo swivel - nickel | ○ N.W. |

N.W. 3400°K

provisional features - all data can be modified without notice